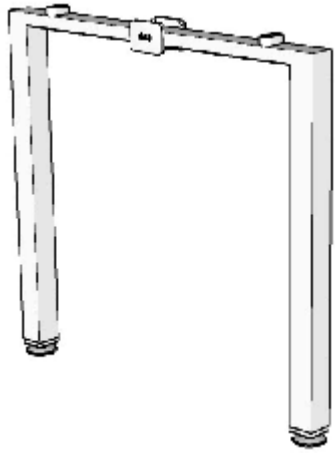
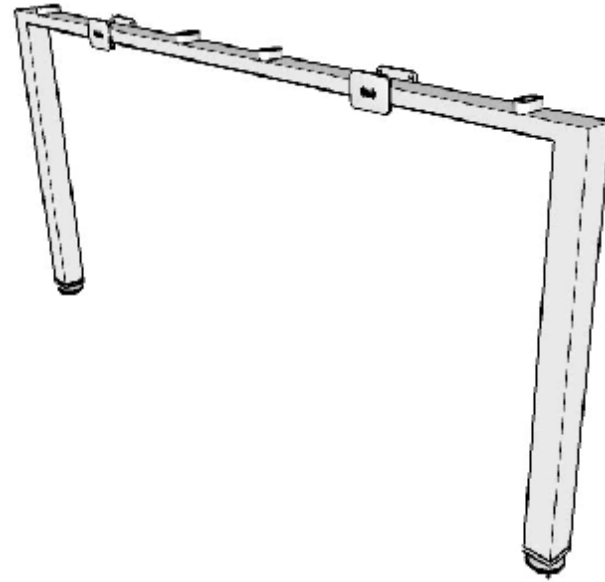


E_xept



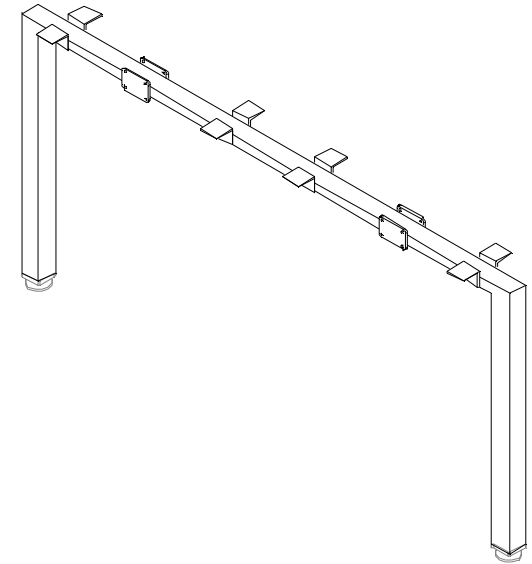
Standard Leg

L 400, 450, 550, 700
L 750, 850 & 950

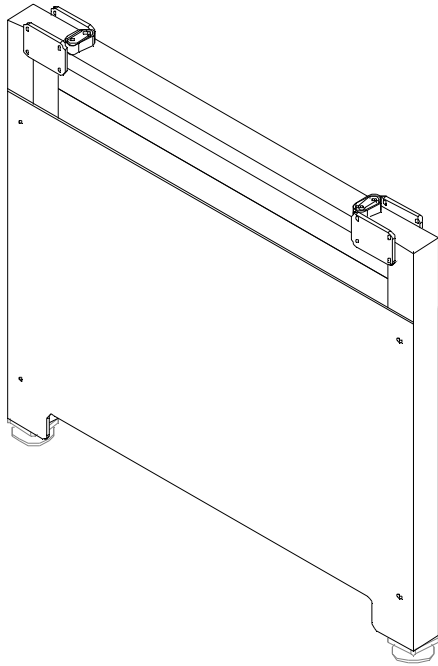


Sharing Leg

L 850, 1150, 1350, 1550 & 1650

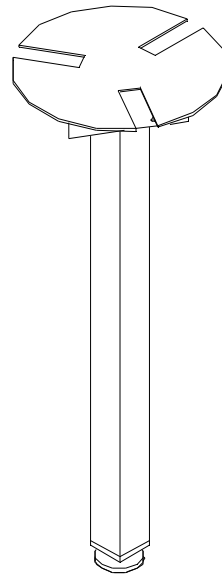


Center Leg

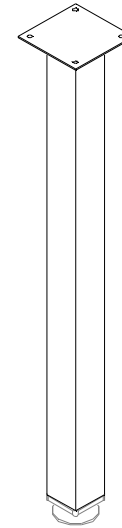


Leg with raiser

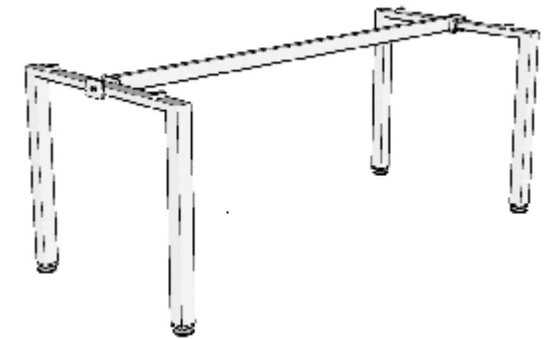
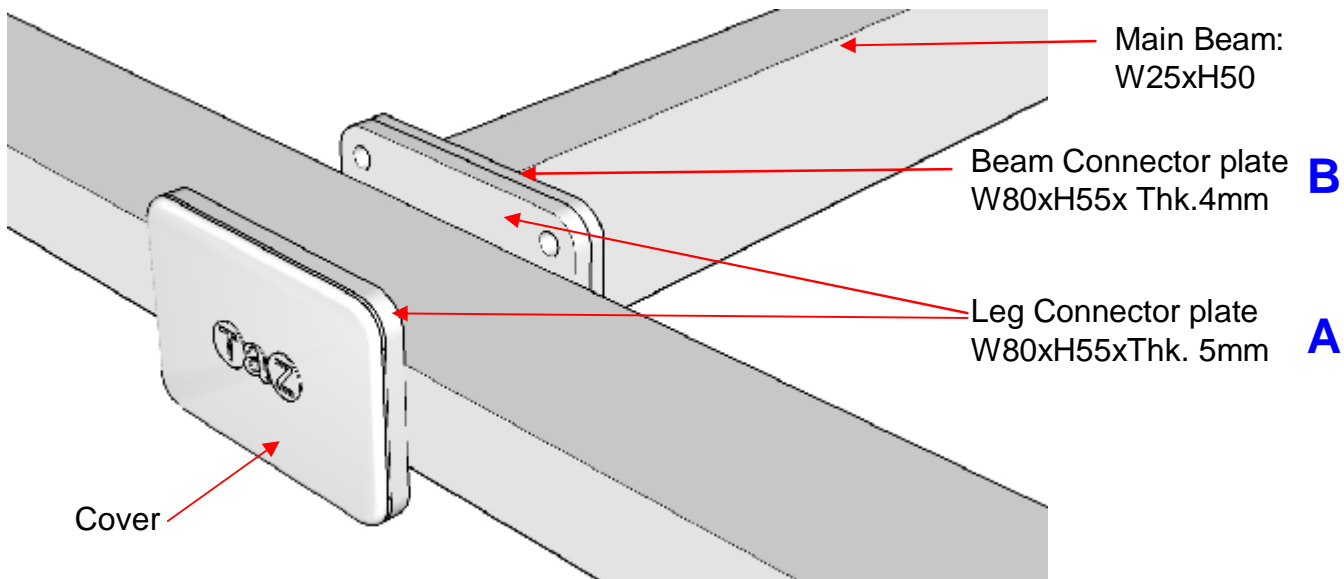
L 450 & 800



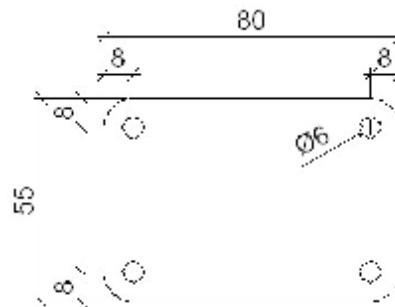
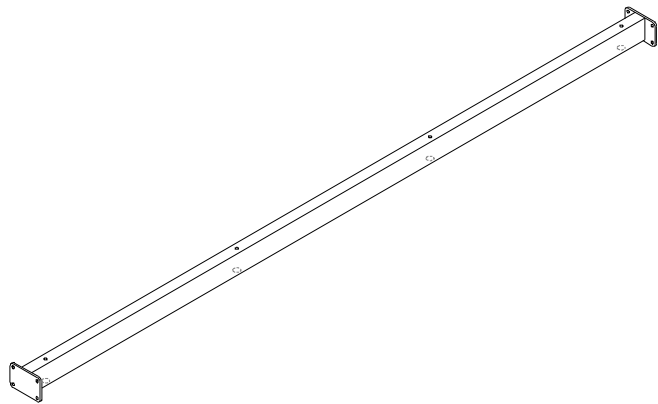
120° Center Leg



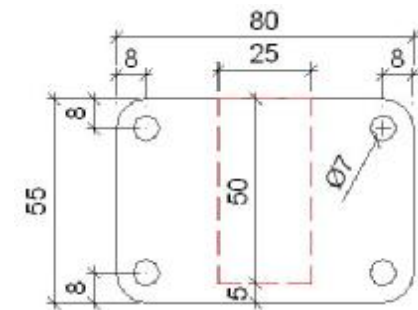
Mono Leg



Leg & Beam Detail

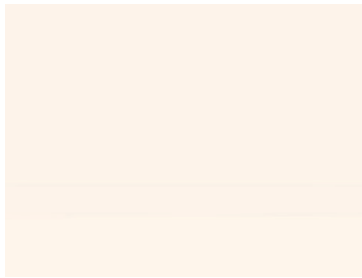


A Leg Connector plate
W80xH55xThk. 5mm
(M6 threaded hole)



B Beam Connector plate
W80xH55x Thk.4mm
(Screw Through hole Dia.7)

- **Standard colour finishes**



White



Grey / Precious Silver



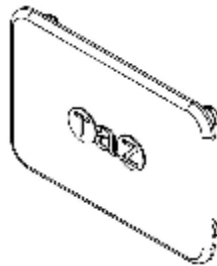
Charcoal

- **Cover, Spacer & Glide –colour finishes**



Cover

White
Grey / Precious Silver
Charcoal



Spacer

White
Grey / Precious Silver
Charcoal



Glide

Translucent

- **Light Screen Panel**



Fabric



Mesh

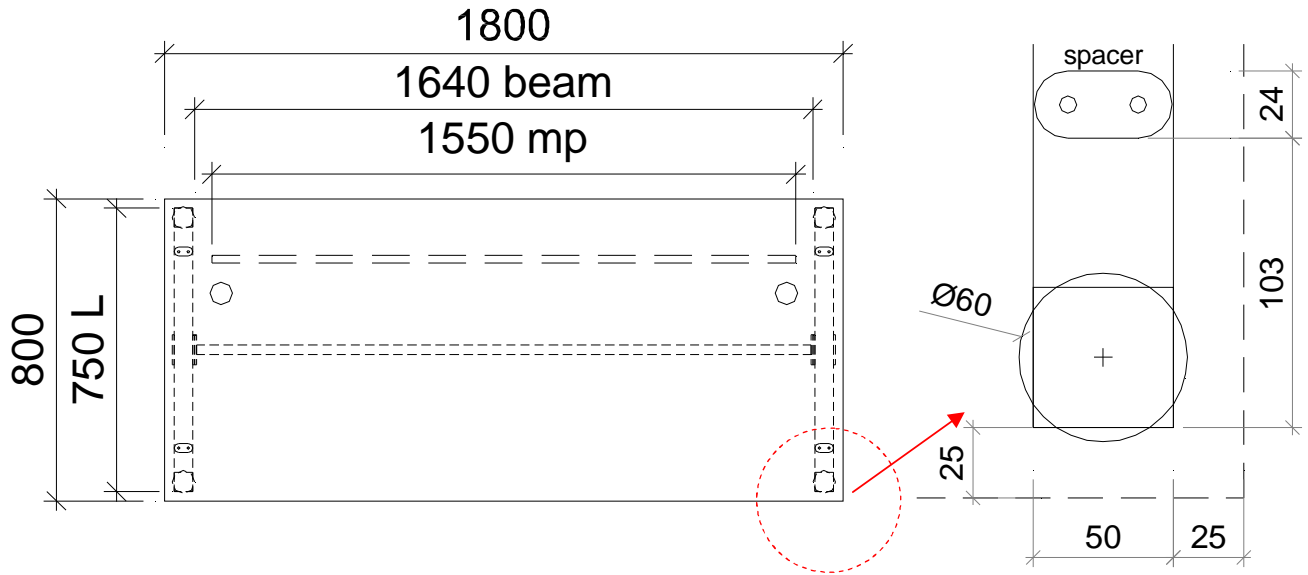
- **Screen Panels**



3com or 3com Lite

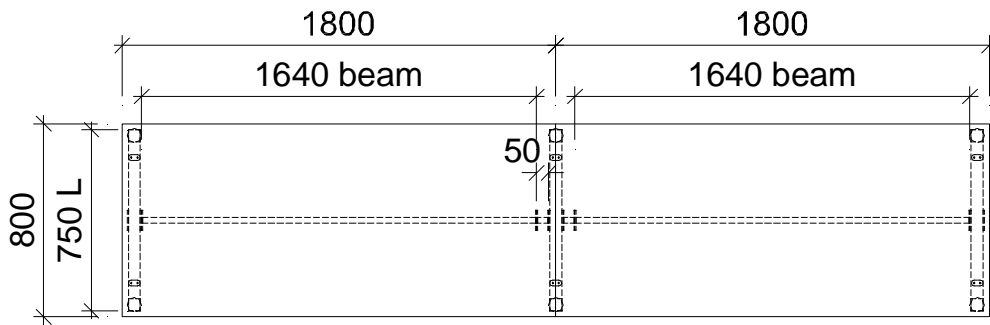


Acrylic



Detail : Table edge dim.

Std. Table width	Main beam	Modesty panel
900	740 b	650 mp
1000	840 b	750 mp
1200	1090 b	950 mp
1350	1190 b	1100 mp
1500	1340 b	1250 mp
1600	1440 b	1350 mp
1800	1640 b	1550 mp
2100	1940 b	1850 mp
2400	2240 b	2150 mp



Additional table to next – using the extension connector beam-W50

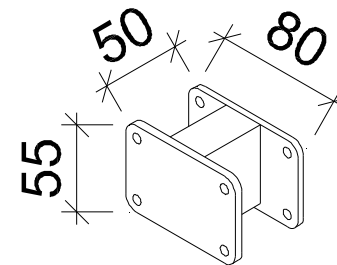
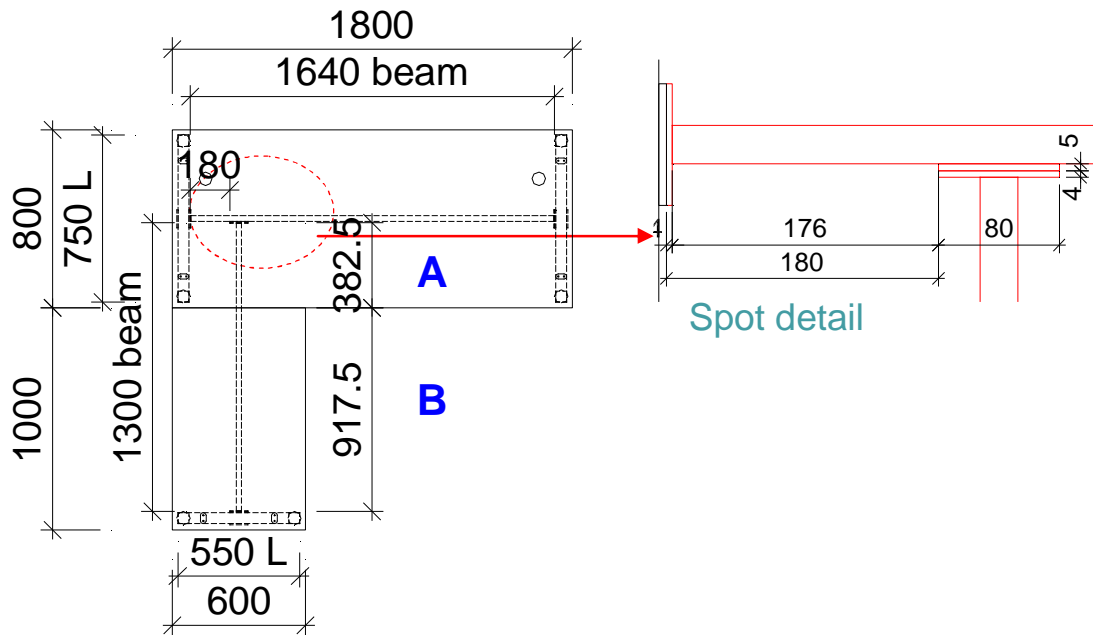
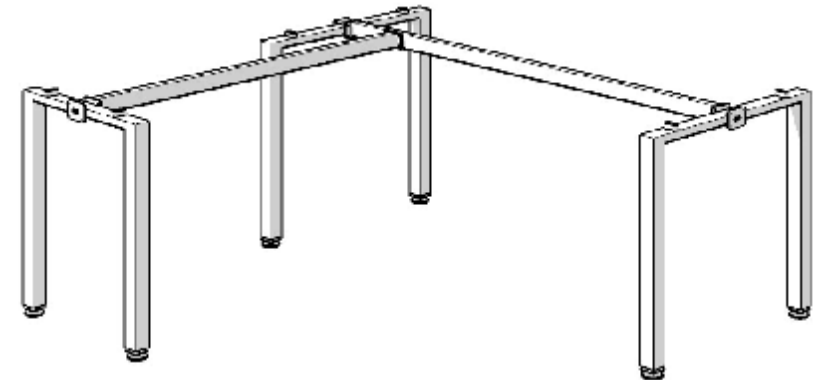


Table Dept	Leg length
450	400 L
500	450 L
600	550 L
750	700 L
800	750 L
900	850 L
1000	950 L



Plan View



Main beam size = Main table Length -160mm

Modesty panel size = Main table Length – 250mm

Side Return Beam

A dim = Main table depth ÷ 2 -17.5mm

B dim = Side table length – 82.5mm

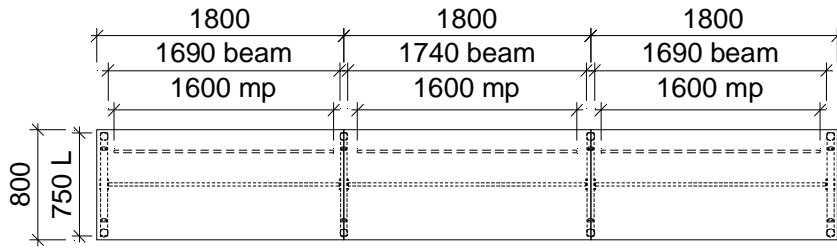
A+B = side return beam

Main table depth: D 800

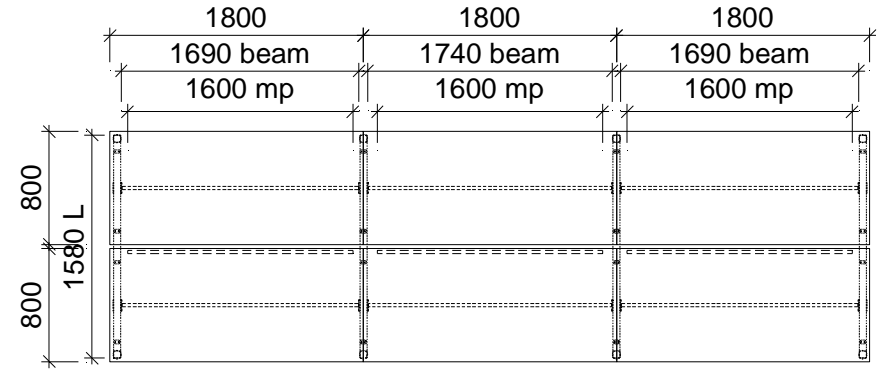
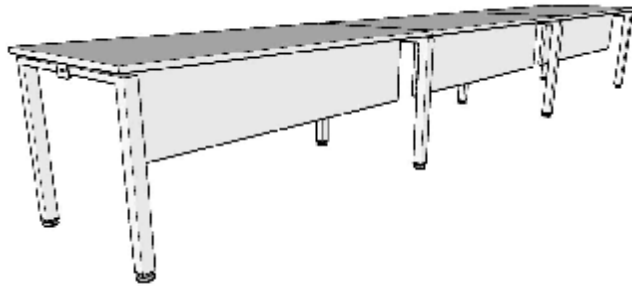
Side return length	Side beam
800	1100 sb
900	1200 sb
1000	1300 sb
1050	1350 sb
1100	1400 sb
1200	1500 sb

Main table depth: D 900

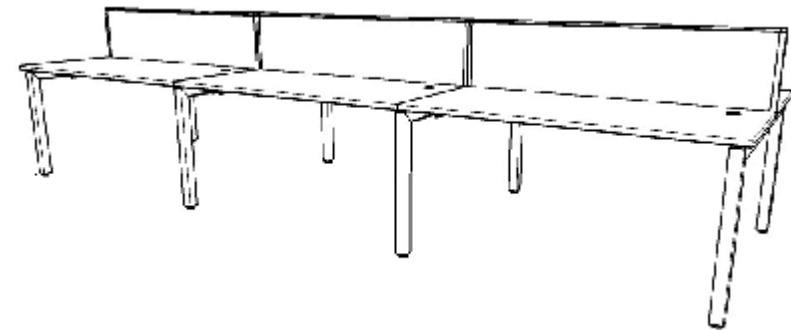
Side return length	Side beam
800	1150 sb
900	1250 sb
1000	1350 sb
1050	1400 sb
1100	1450 sb
1200	1550 sb



Cluster of 3 (Linear)



Cluster of 6(F2F)



Std. Table Length	Corner beam	Center beam	Modesty panel
900	790 b	840 b	700 mp
1000	890 b	940 b	800 mp
1200	1090 b	1140 b	1000 mp
1350	1240 b	1290 b	1150 mp
1500	1390 b	1440 b	1300 mp
1600	1490 b	1540 b	1400 mp
1800	1690 b	1640 b	1600 mp
2100	2090 b	2040 b	1900 mp
2400	2290 b	2340 b	2200 mp

Note:

Corner beam size = Main table Length - 110mm

Center beam size = Main table Length - 60mm

Modesty panel = Main table Length - 200 mm