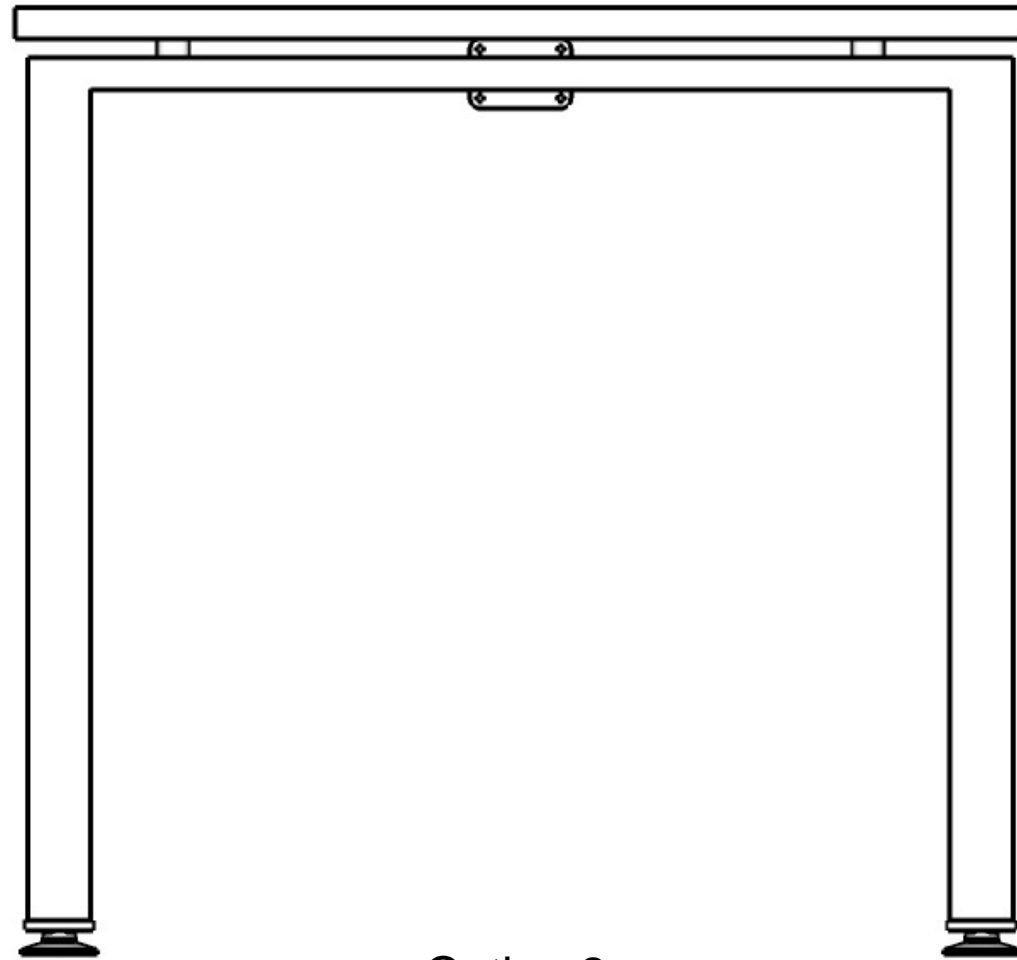
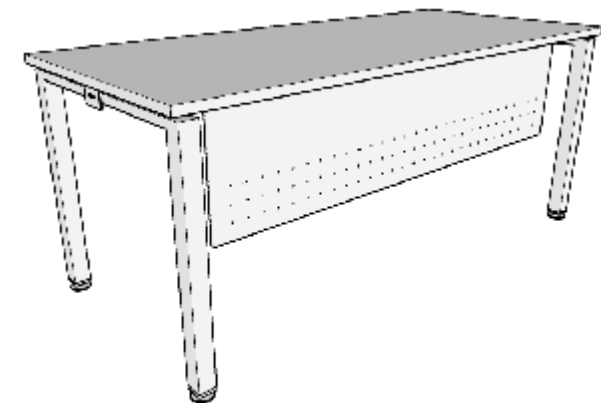
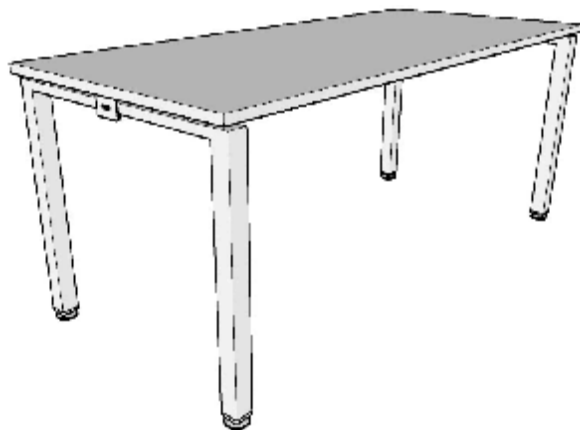
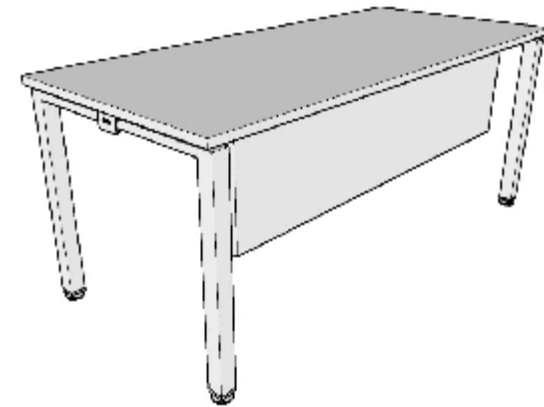
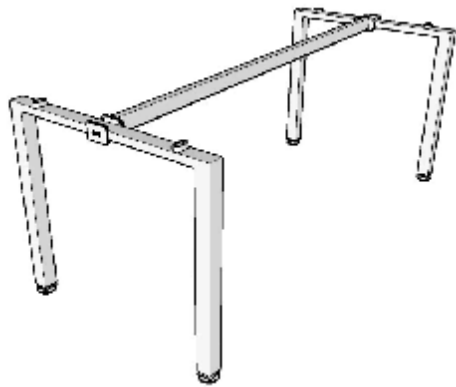
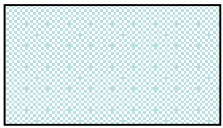


Option 1



Option 2

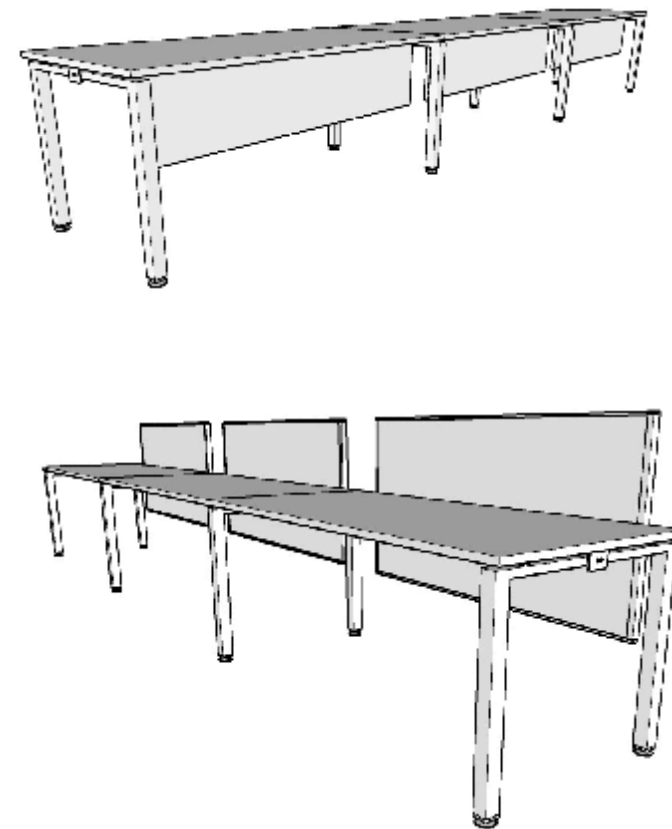


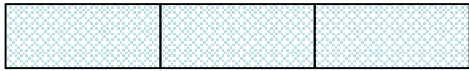


Cluster of 2



Cluster of 3

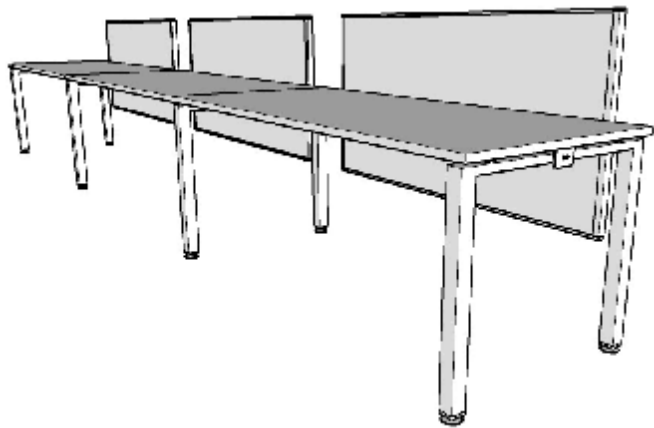
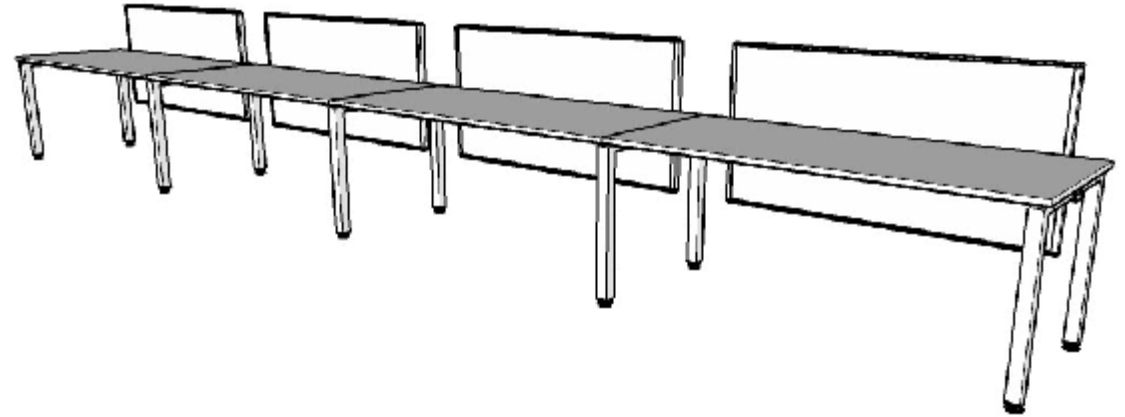
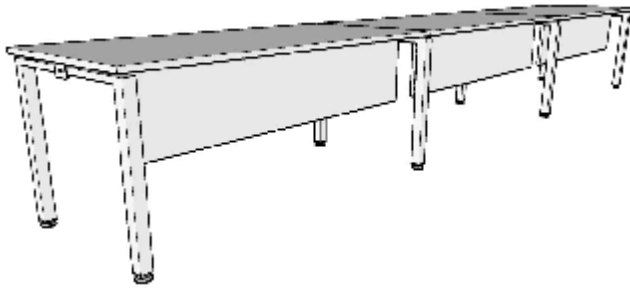




Cluster of 3

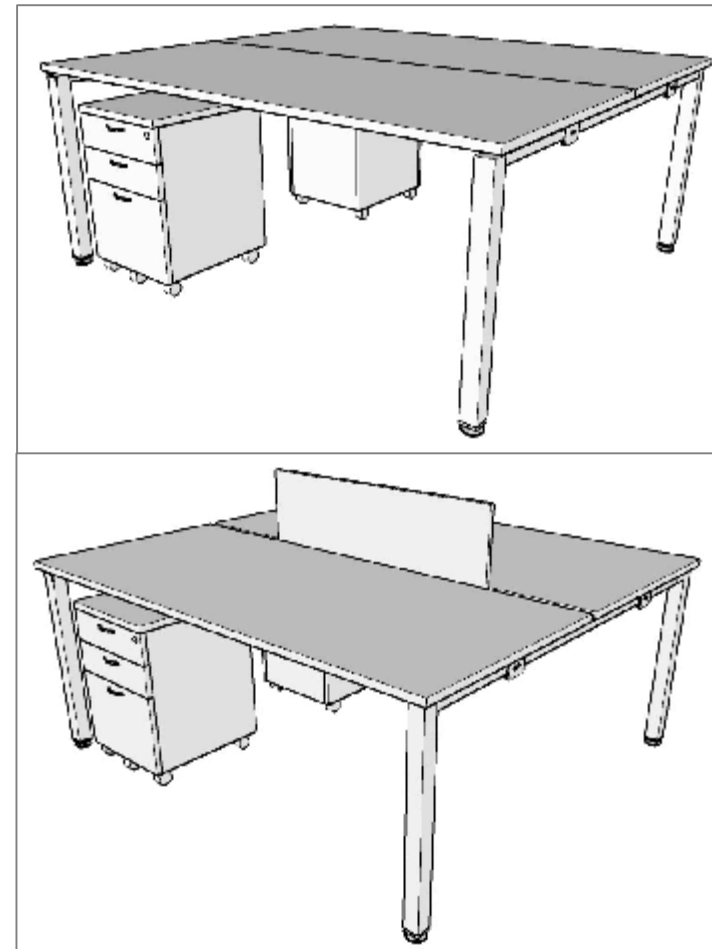
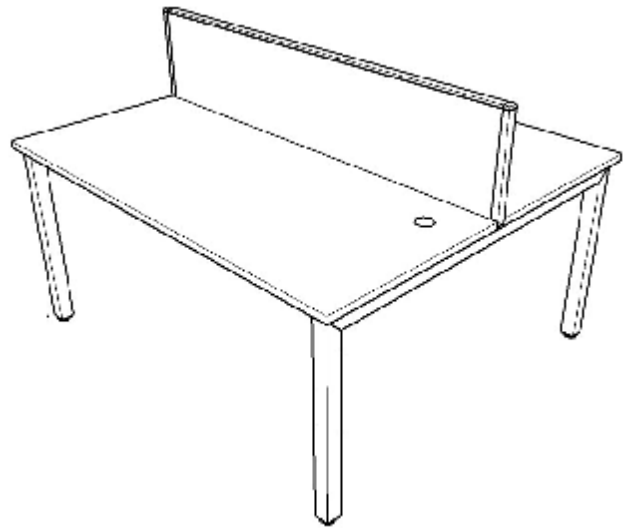
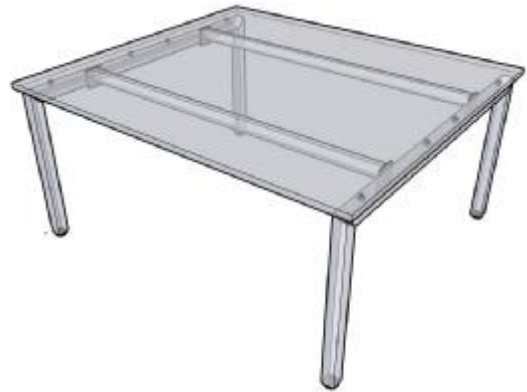


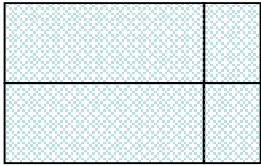
Cluster of 4



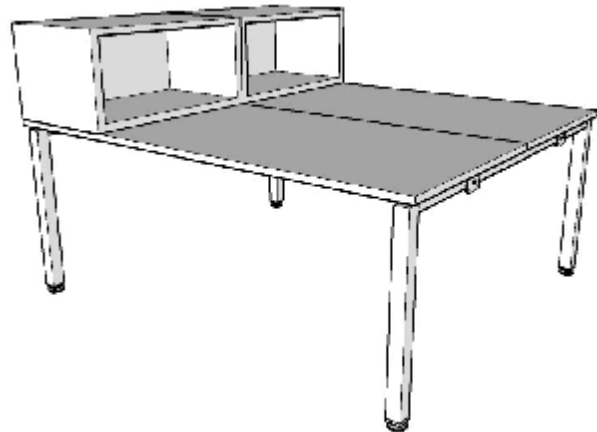


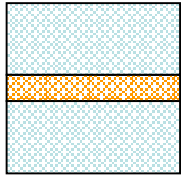
Cluster of 2 (F2F)



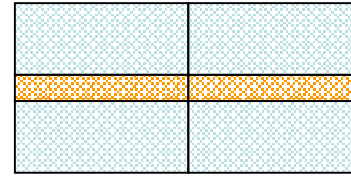


Cluster of 2 (F2F)

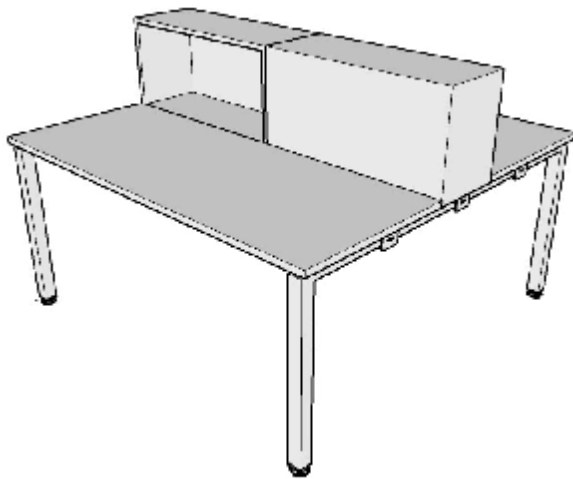


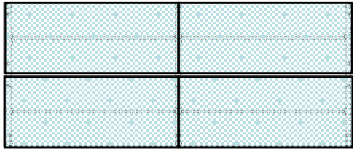


Cluster of 2 (F2F)



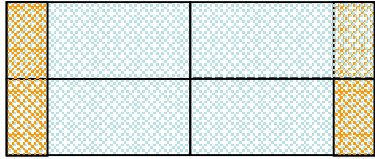
Cluster of 4 (F2F)



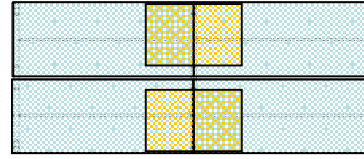


Cluster of 4 (F2F)



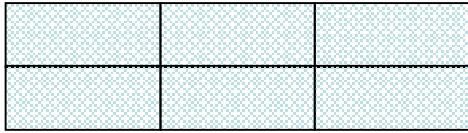


Cluster of 4 (F2F)

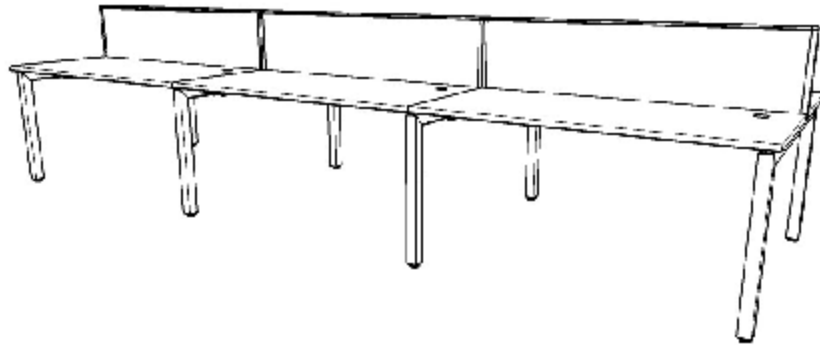


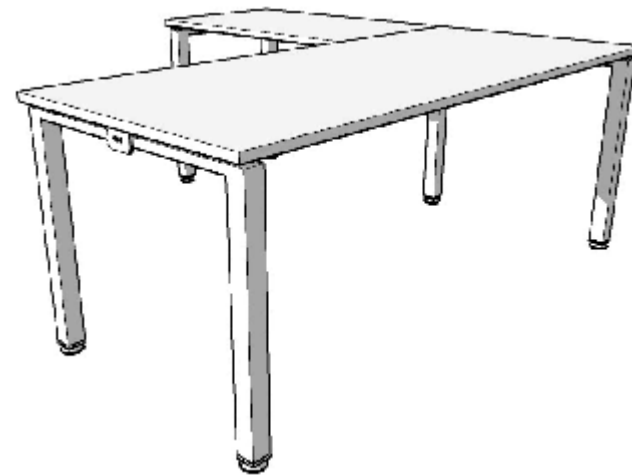
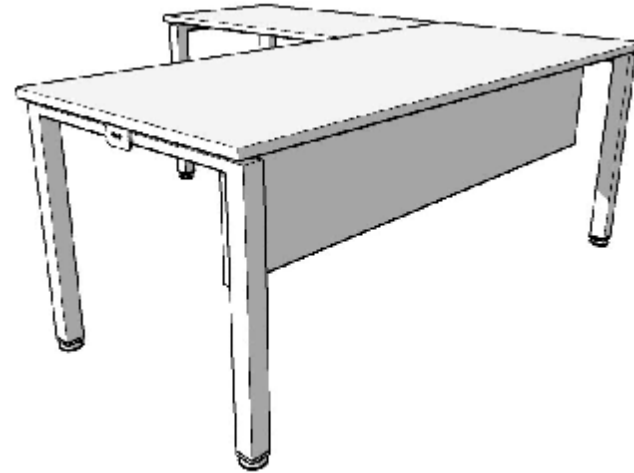
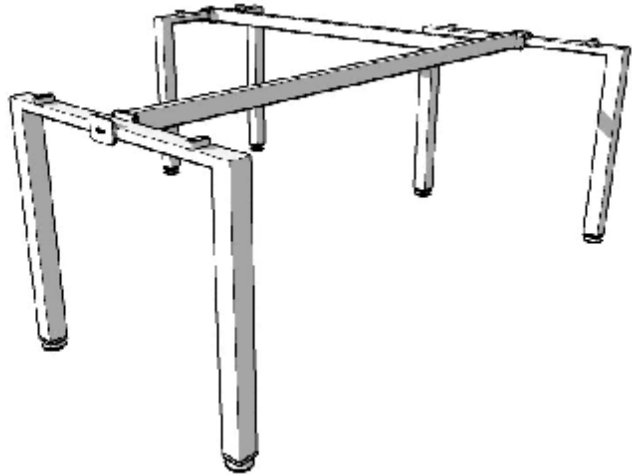
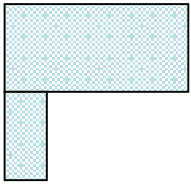
Cluster of 4 (F2F)

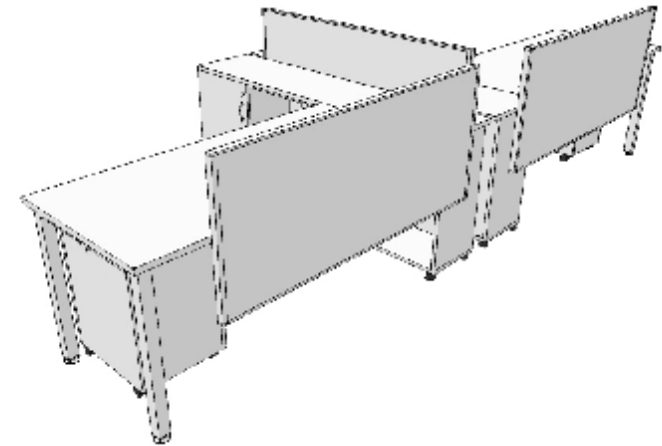
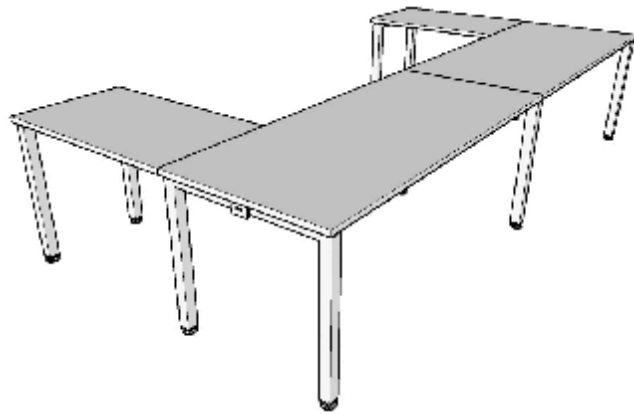
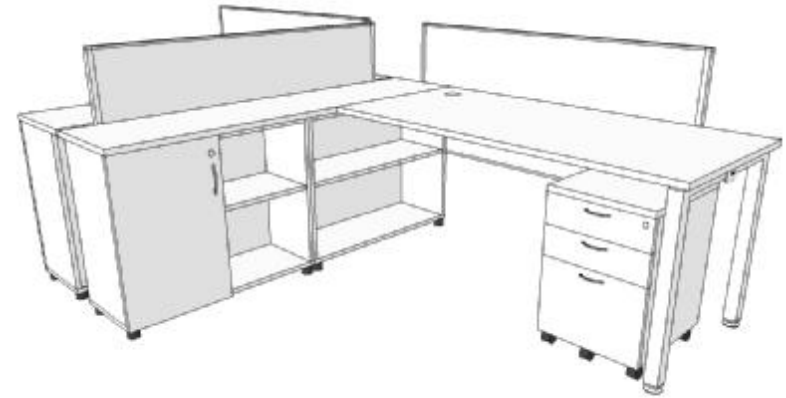
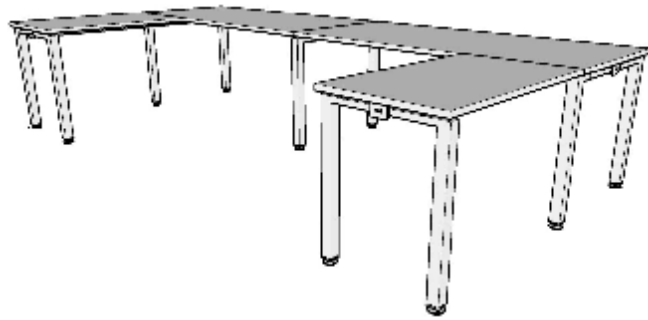
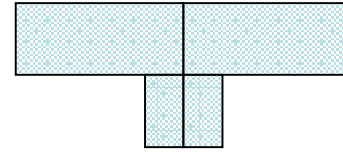
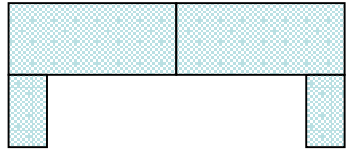


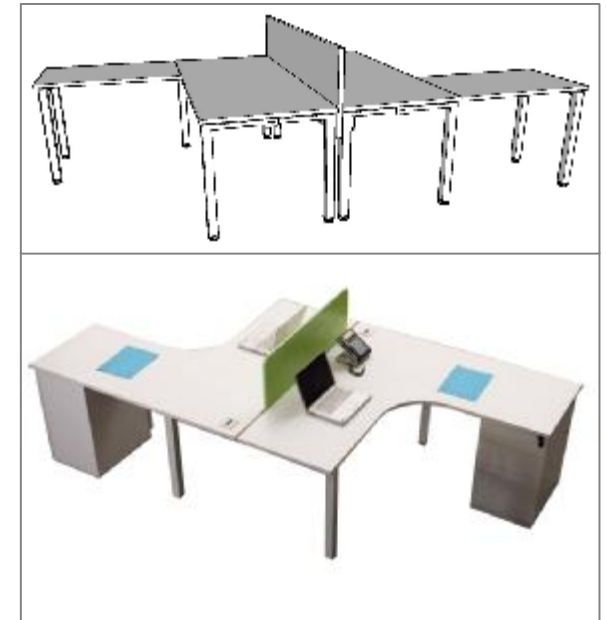
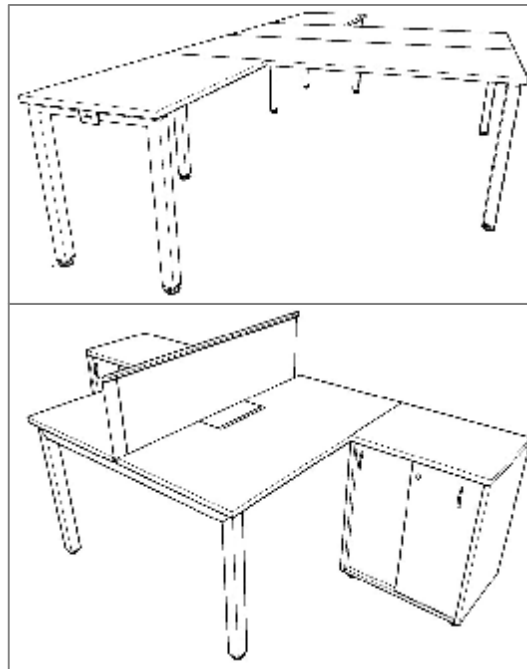
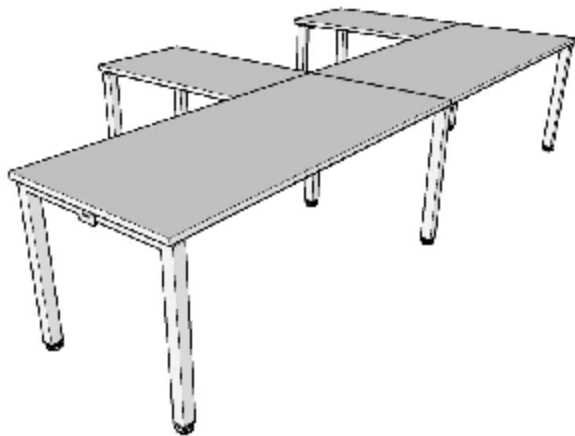
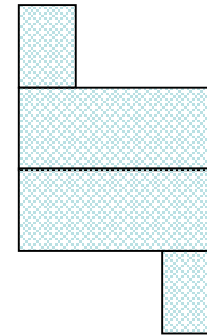
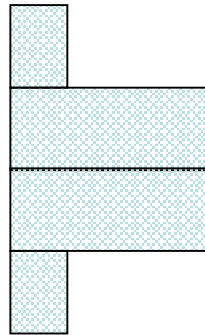
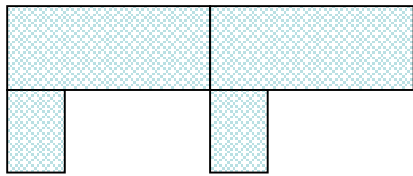


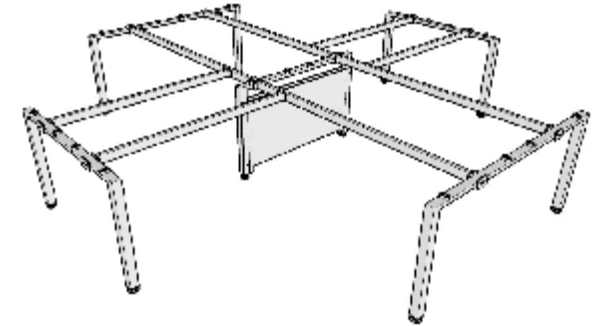
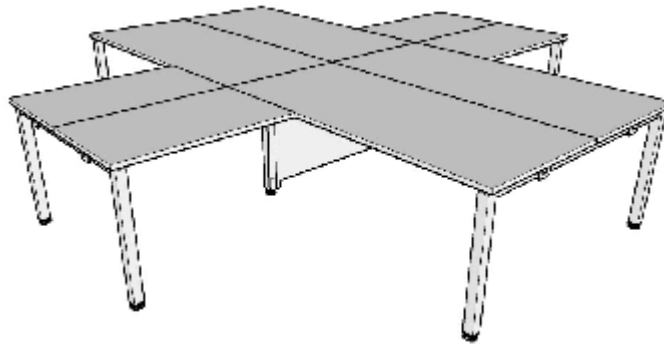
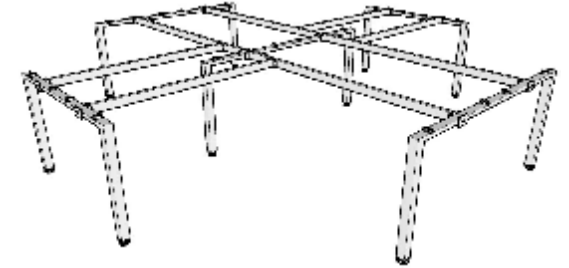
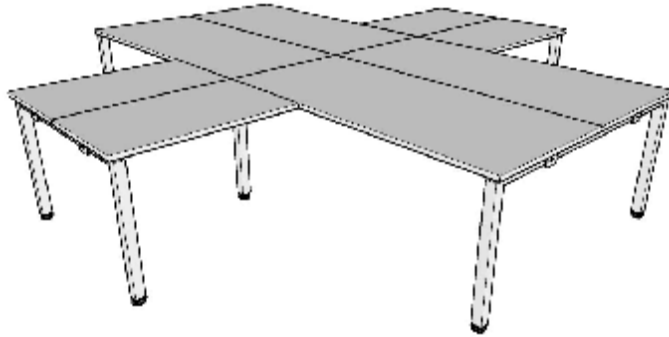
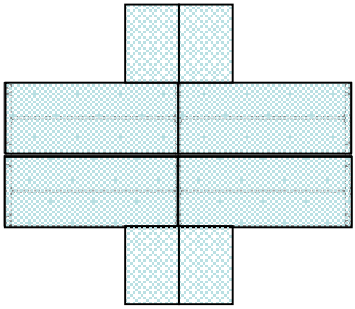
Cluster of 6 (F2F)

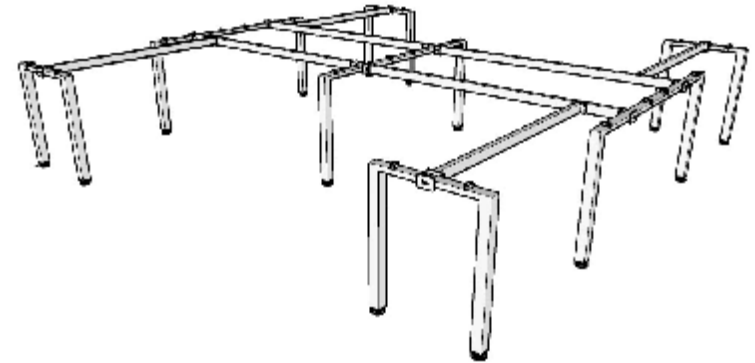
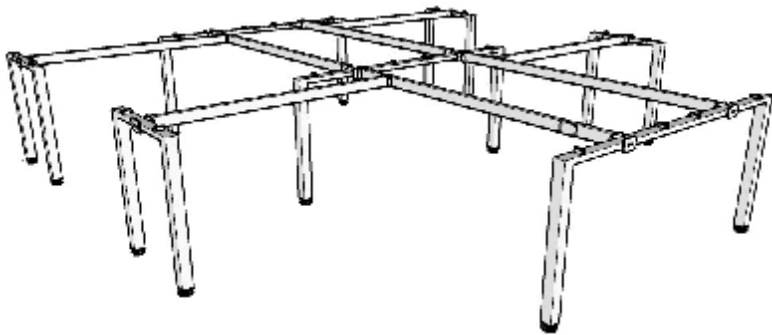
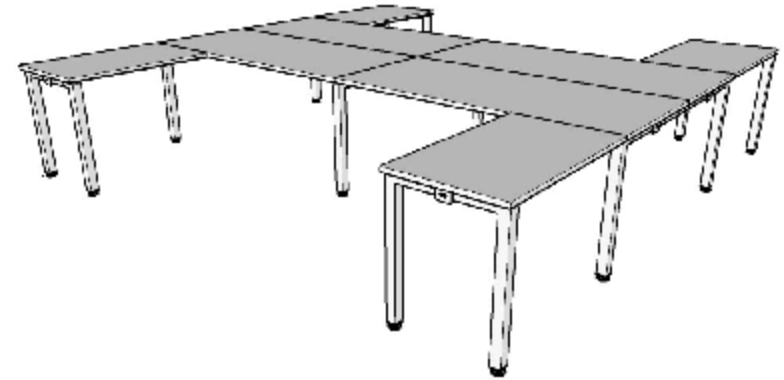
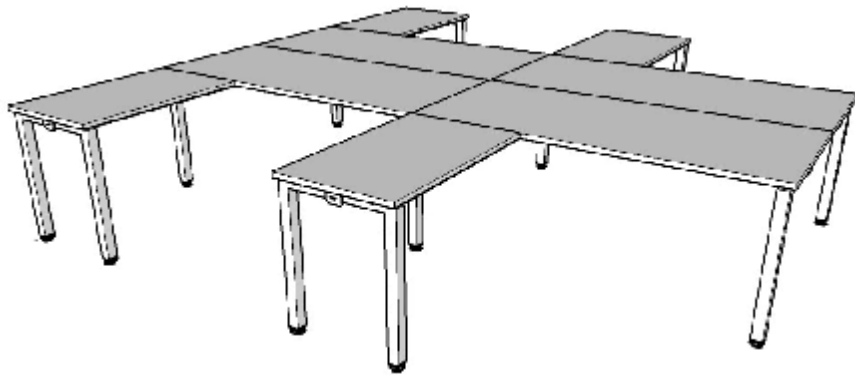
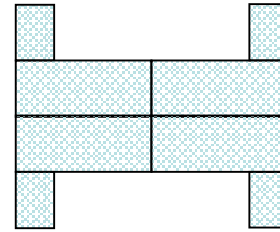
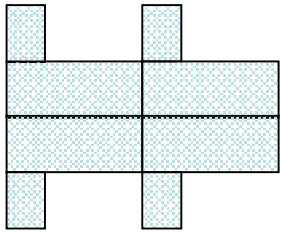


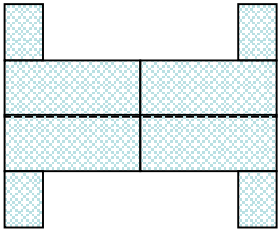








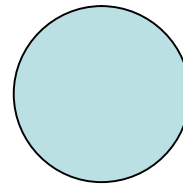
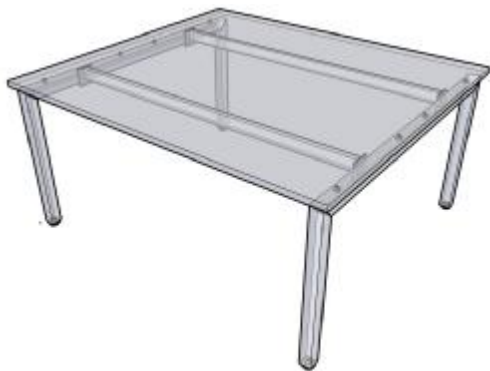






Square top

900, 1000, 1200 & 1600



Round top

Ø900, Ø1000 & Ø1200

